



DUAL BAND BASE STATION ANTENNA MODEL : UVS-300

Specifications

GAIN	8.3 dB (2M) and 11.7 dB (70cm) better than quarter wave antennas
VSWR	Less than 1.5:1
FREQUENCY RANGE	144 - 148 (2M), 220-225 MHz and 440 - 450 MHz (70cm)
POLARIZATION	Vertical
IMPEDANCE	50 Ohm
CONFIGURATION	3 element collinear (2M) 8 element collinear (70cm)
POWER CAPACITY	200 Watts
CONNECTOR	SO-239

Assembly

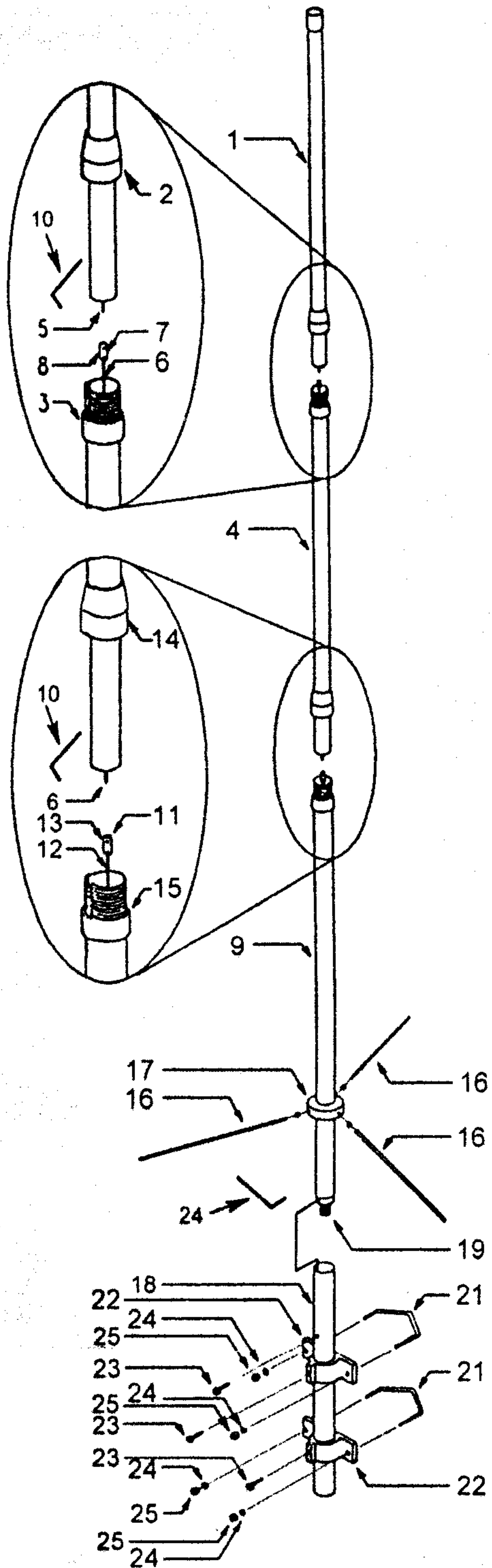
1. Refer to drawing (rear side of this instruction). Insert upper radiator element (part #5) fully into joint (part #7) of center radiator (part #6) and tightening set screw (part #8) securely with wrench (part #10).
2. Thread upper tube joint (part #2) onto top tube joint of center sec. (part #3) and tighten securely.
3. Insert center radiator element (part #6) fully into radiator joint (part #11) and tightening set screw (part #13) securely with wrench (part #10). Then thread lower tube joint of center sec. (part #14) onto top tube joint of bottom sec. (part #15) and tighten securely.
4. threaded holes on the metal antenna base (part #17) and tighten them by fingers. Secure the radials by tightening locking nuts with wrench.
5. Secure support pipe (part #20) to mounting pole (not included) in desired location using brackets (part #22), u-bolts (part #19), locking screws (part #21), locking washers (part #22), and either self locking nuts or nuts (part #23) and locking washers (part #22) supplied. Tighten securely with wrench (not included).
6. Run up the cable from radio through supporting pipe (part #20) and screw PL-259 on cable end tightly onto SO-239 connector at the bottom of antenna. Assemble antenna into support pipe with open threaded hole turned so that it will align with hole on support pipe for locking screw. Screw the locking screw (part #21) into hole and tighten it securely with wrench or screw driver.

Adjustment

No adjustment is necessary. This antenna is pre-aligned at the factory for 144-148MHz, 220-225MHz and 440-450MHz.

MADE IN TAIWAN

UVS-300 PARTS LIST AND ASSEMBLY DRAWING



PARTS LIST

NO.	DESCRIPTION	Q'TY
1	UPPER TUBE	1
2	TUBE JOINT OF UPPER SEC.	1
3	TOP JOINT OF CENTER SEC.	1
4	CENTER TUBE	1
5	UPPER RADIATOR ELEMENT	1
6	CENTER RADIATOR ELEMENT	1
7	RADIATOR JOINT	1
8	SET SCREW	1
9	LOWER TUBE	1
10	WRENCH (SMALLER ONE)	1
11	RADIATOR JOINT	1
12	LOWER RADIATOR	1
13	SET SCREW	1
14	LOWER TUBE JOINT OF CENTER SEC.	1
15	TOP TUBE JOINT OF BOTTOM SEC.	1
16	RADIAL & NUT, SPRING WASHER	3
17	METAL ANTENNA BASE	1
18	SUPPORT PIPE	1
19	U-BOLT	2
20	BRACKET	2
21	LOCKING SCREW	3
22	LOCKING WASHER	3
23	NUT	4
24	WRENCH (LARGER ONE)	1